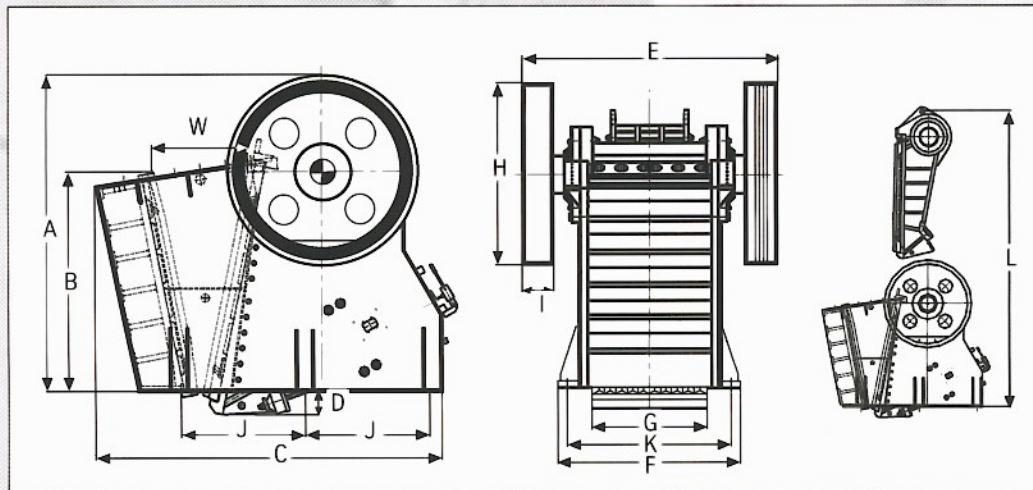


Technical data

Crusher type	Feed opening width x feed opening length [mm x mm]	Total weight [t]	Crusher speed [1/min]	Gap setting min. ¹⁾ [mm]	Gap setting max. ¹⁾ [mm]	Weight of flywheel [kg/unit]	Installed drive power [kW]	Speed of electric motor ²⁾ [1/min]
EB 12-10 N	1,200 x 1,000	42	180-220	125	275	1,700	110/132	1,000
EB 12-10 H	1,200 x 1,000	48	180-220	125	275	3,120	132/160	1,000
EB 14-11 N	1,400 x 1,100	56	160-200	135	285	2,130	132/160	1,000
EB 14-11 H	1,400 x 1,100	62	160-200	135	285	3,980	160/200	1,000
EB 16-12 N	1,600 x 1,200	70	150-200	150	300	3,120	160/200	1,000
EB 16-12 H	1,600 x 1,200	85	150-200	150	300	4,350	200/250	1,000
EB 20-15 N	2,000 x 1,500	130	145-180	180	330	4,350	250/315	1,000
EB 20-15 H	2,000 x 1,500	150	145-180	180	330	6,200	250/355	1,000

Crusher type	Largest component	Heaviest component	Transport dimensions		
			Dimensions of the largest component [m x m x m]	Weight of heaviest component [kg]	Max. weight of the crushing jaw [kg/unit]
EB 12-10 N	Housing	Housing	3.9 x 2.6 x 2.2	15,050	2,360
EB 12-10 H	Housing	Housing	3.9 x 2.6 x 2.2	17,200	2,360
EB 14-11 N	Housing	Housing	4.1 x 2.8 x 2.2	20,330	3,650
EB 14-11 H	Housing	Housing	4.1 x 2.8 x 2.2	22,500	3,650
EB 16-12 N	Housing	Housing	4.3 x 2.8 x 2.5	24,800	5,500
EB 16-12 H	Housing	Housing	4.3 x 2.8 x 2.5	29,280	5,500
EB 20-15 N	Swing jaw, cpl.	Swing jaw, cpl.	5.1 x 4.0 x 2.0	40,000	4,460
EB 20-15 H	Swing jaw, cpl.	Swing jaw, cpl.	5.1 x 4.0 x 2.0	46,000	4,460



- 1) with new crushing tools
2) 1,200 1/min possible

The stated values are only approximate. Machine capacity depends on grain size distribution, properties and kind of the feed material.

Binding information can be supplied on specification of the operating conditions.

To keep pace with technical progress, we reserve the right to make improvements without prior notice.

Crusher type	A [mm]	B [mm]	C [mm]	D [mm]	E [mm]	F [mm]	G [mm]	H [mm]	I [mm]	n x J [mm]	K [mm]	L [mm]	W [mm]
EB 12-10 N	3,200	2,385	3,750	290	2,760	2,130	1,180	1,600	280	2x1,400	1,950	6,000	1,000
EB 12-10 H	3,340	2,385	3,750	290	2,900	2,130	1,180	1,900	350	2x1,400	1,950	6,000	1,000
EB 14-11 N	3,430	2,565	4,030	320	2,940	2,200	1,370	1,700	310	2x1,450	1,970	6,400	1,100
EB 14-11 H	3,680	2,565	4,030	320	3,040	2,180	1,370	2,200	360	2x1,450	1,970	6,400	1,100
EB 16-12 N	3,750	2,835	4,160	330	3,160	2,480	1,570	1,900	350	2x1,590	2,300	6,800	1,200
EB 16-12 H	3,950	2,835	4,160	330	3,220	2,480	1,570	2,300	380	2x1,590	2,300	6,800	1,200
EB 20-15 N	4,720	3,565	5,260	340	4,070	3,120	1,970	2,400	380	4x 980	2,920	8,600	1,500
EB 20-15 H	4,870	3,565	5,260	340	4,110	3,120	1,970	2,700	420	4x 980	2,920	8,600	1,500